



## Print & Apply Systems

- ✓ Real time automatic print and apply system for any type of secondary group packaging (cases, packs, bundles, etc.).
- ✓ Capacity up to 90 labels/min.
- ✓ 3.8" touch screen for system parameters configuration.
- ✓ Digital screen for easier pressure regulation.
- ✓ Numeric Flow regulation indicator.
- ✓ Compact, robust, industrial.
- ✓ Compatible with all OEM print engines on the market. In compliance with GS1 International codification and traceability standards (grade A and B for printed barcodes).

# APL 35s CODE PLUS

"Your reliable partner in coding"

## Print & Apply Systems



Print & Apply Systems **APL 35s** were technologically designed to fulfill the most strict market demands on traceability and reliability; complying with GS1 international requirements for real time printing and labeling.

This Label Printer Applicator supports reel of label with external diameter of up to 300mm (11,8"). 350mm (13,8") optional.

Modular concept of **APL 35s** allows the application of label on packaging in many ways:

- ✓ Top
- ✓ Side
- ✓ Frontal
- ✓ Rear
- ✓ Corner wrap
- ✓ Double panel

Designed to meet most exigent requirements on speed and labeling capacity. Including printing and applying of label with variable information in real time. With the capacity of up to 90 cpm (cases per minute) with pneumatic application and up to 180 cpm with electric application.

Easy integration into any production line by using only one connector with all I/O integrated. Thanks to its high connectivity capacity **APL 35s** Systems can be easily integrated with any ERP, DB, MES, WMS, using UBS LabMan 4.0 middleware as a connection tool.

This label application system is equipped with touch screen control panel for system parameters settings.

**APL 35s** is fulfilling all GS1 international codification and traceability standards (achieving grade A and B for printed barcodes).

United Barcode Systems Print & Apply technology is a market reference for labeling individual packs, cartons and cases.

Do you need to add some advanced functionalities to **APL 35s**? **APL 35si** is our premium equipment with special features →



# APL 35s y 35si

Print & Apply Systems  
Stability & Reliability

## FEATURES

### ELECTRIC

PLC  
INTERFACE  
POWER SUPPLY  
CE REGULATION

### PNEUMATIC

PRESSURE REGULATION CYLINDER APPLICATION  
VACUUM SWITCH / PRESSURE SWITCH  
AIR FLOW REGULATOR BLOWER TUBE  
AIR FLOW REGULATOR VACUUM  
ENTRY CONSIGNMENT

### MECHANICAL

EXTERNAL REEL DIAMETER (MAX.)  
MAX. LABEL WIDTH  
UNWINDER  
REWINDER  
BACKING PAPER EXTRACTION SYSTEM  
MEDIA COVER  
HARSH ENVIRONMENTS FULL COVER  
CABIN PROTECTOR FOR CONNECTION PANEL

### COMMUNICATIONS

ALARM BEACON  
ETHERNET  
LOW LEVEL MEDIA  
PRESSURE SWITCH ENTRY  
STANDARD OUTPUTS CONNECTOR  
INTEGRATOR CONNECTOR

### LABEL APPLICATORS

#### PNEUMATICS

SPEED

#### ELECTRICS

SPEED

### PRINTING MODULE

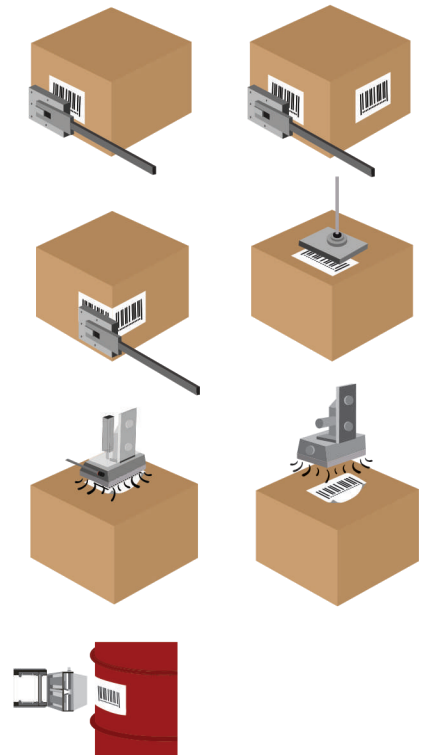
PRINT ENGINE  
PRINTING RESOLUTION  
POWER SUPPLY  
INTERFACE AND CONNECTIVITY  
OPERATING TEMPERATURE  
HUMIDITY

# APL 35s

# APL 35si

	STANDARD	SIEMENS / ALLEN BRADLEY
MONOCHROME TOUCH SCREEN 3,8"		COLOR TOUCH SCREEN 4,3"
	100 - 240 +10 VAC, 50 / 60Hz	
	SECURITY LEVEL PLC (EMERGENCY STOP)	
		✓
	DIGITAL REGULATION	
	STANDARD INDICATOR (ANALOGICAL)	
	✗ (OPTIONAL)	
		✓
	300MM (11,8") . 350MM (13,8") OPTIONAL	
	170MM (6.69")	
	PRINTER INPUT TENSIONER	
	MOTOR WITH CLUTCH	
	CLIP	
	✗ (OPTIONAL)	
	✗ (OPTIONAL)	
	✗ (OPTIONAL)	
		EXTERNAL
	✗	✓ PLC & SCREEN COMMUNICATION
		✗ (OPTIONAL)
		7 SIGNALS
	✗ (OPTIONAL)	MULTISIGNAL
	UP TO 90 LABELS/MIN*	
	UP TO 180 LABELS/MIN*	
	ZEBRA, SATO, HONEYWELL...	
	203 - 300DPI	
	100 - 240 +10 VAC, 50 / 60Hz	
	ETHERNET, USB, RS232	
	FROM 5°C TO 40°C	
	BETWEEN 20% - 85% NON-CONDENSING	

## Pneumatic Applicators



## Electric Applicators



According to UBS internal policy of continuous improvement, our products specifications are subject to change without notice.

"Your reliable partner in coding"  
**CODE PLUS**

02-570-2721  
admin@codeplus.co.th  
www.codeplus.co.th

@codeplus

